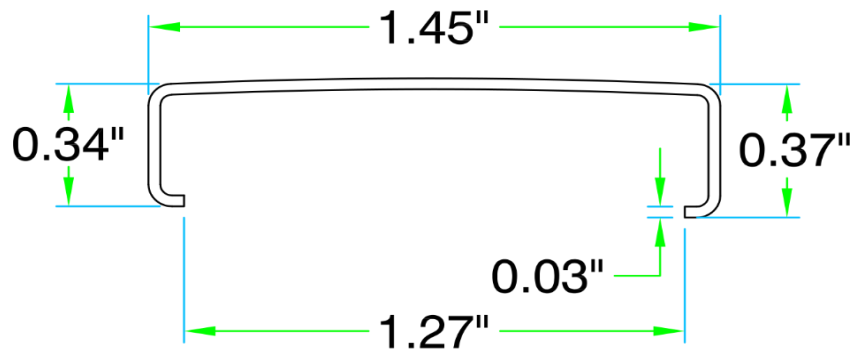
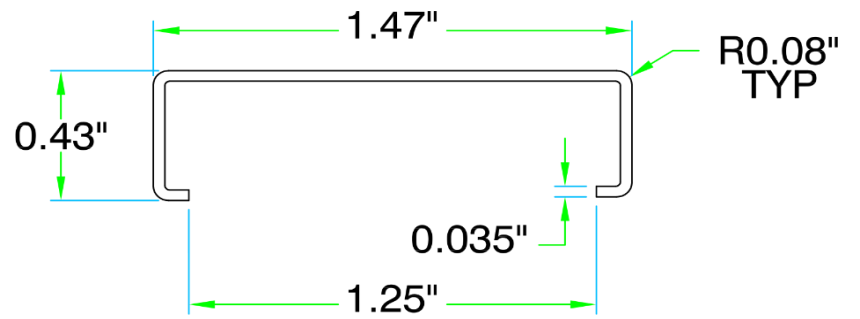


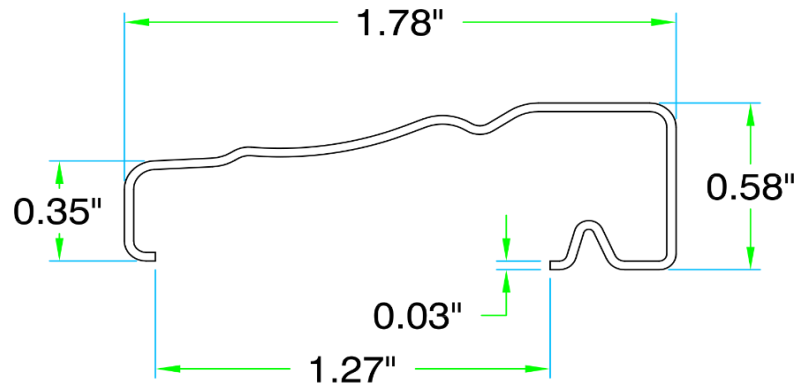
IDP Inc. CASING DETAILS



STANDARD STEEL



OPTIONAL ALUMINUM



OPTIONAL STEEL COLONIAL



IDP Inc.
 21300 W. 8 Mile Rd.
 Southfield, MI 48075
 1-877-645-2770

Phone: 248-352-0044
 Fax: 248-352-4222
 www.idpframes.com
 info@idpframes.com

PROJECT:

JOB NO.

SHEET:

OF: