

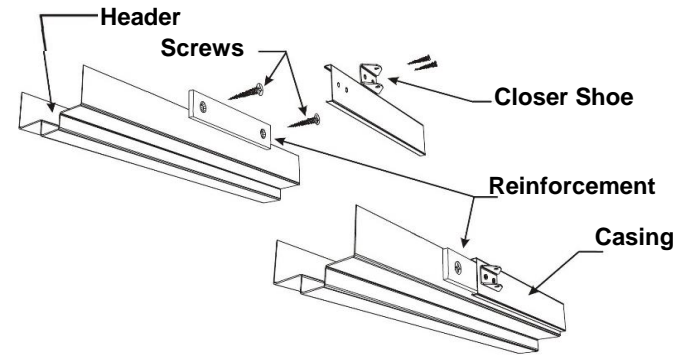
IDP Inc. CLOSER REINFORCEMENTS

REGULAR ARM CLOSER INSTALLATION FOR METAL CASING ONLY

1. Position closer reinforcement on header where the door closer shoe is to be mounted so that it will fit under the casing.
2. Mount the reinforcement flush with the header face.
3. Drill pilot holes (2) in the header through the countersunk holes in the reinforcement and secure with wood or sheet metal screws.
4. Install header casing.
5. Position closer shoe on frame and drill pilot holes through the casing and regular arm closer reinforcement.
6. Tap these holes as per the Closer Installation Instructions.
7. Secure the closer shoe to the frame.



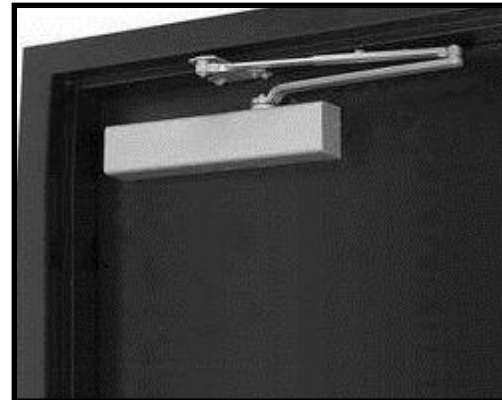
Example of a regular arm closer



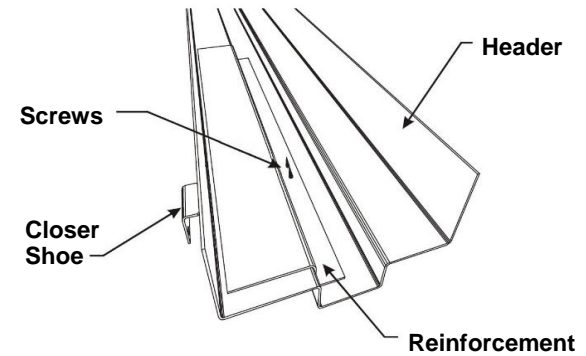
PARALLEL ARM CLOSER FIELD INSTALLATION

⚠ ONLY USE IF REINFORCEMENT BRACKET IS NOT WELDED.

1. Locate area where parallel arm closer reinforcement is to be positioned on inside of header. Clean with solvent and apply reinforcement by removing backing from double sided tape.
2. Drill and tap through frame and reinforcement for closer shoe attachment.
3. Install frame and door in conventional manner.



Example of a parallel arm closer



IDP Inc.
 21300 W. 8 Mile Rd.
 Southfield, MI 48075
 1-877-645-2770

Phone: 248-352-0044
 Fax: 248-352-4222
 www.idpframes.com
 info@idpframes.com

PROJECT:	
JOB NO.	
SHEET:	OF: