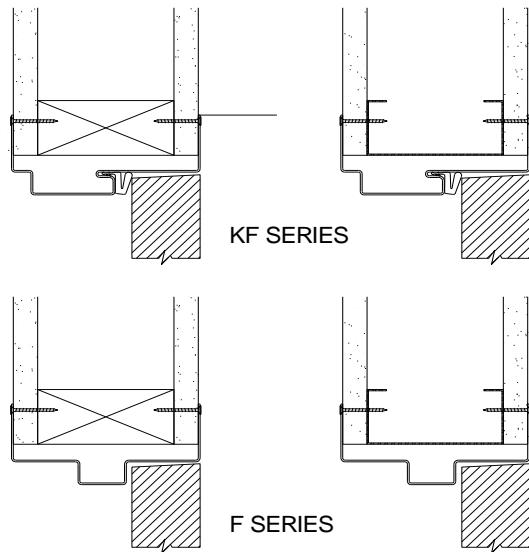


# IDP Inc. F and KF SERIES ROUGH OPENINGS

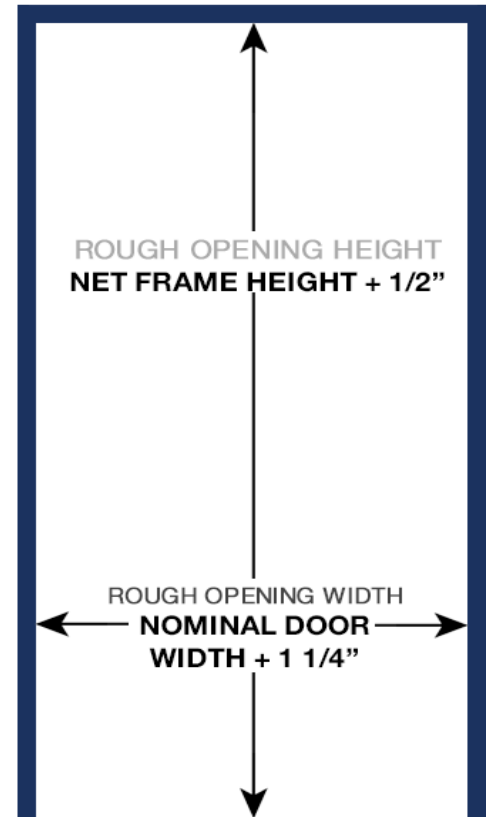
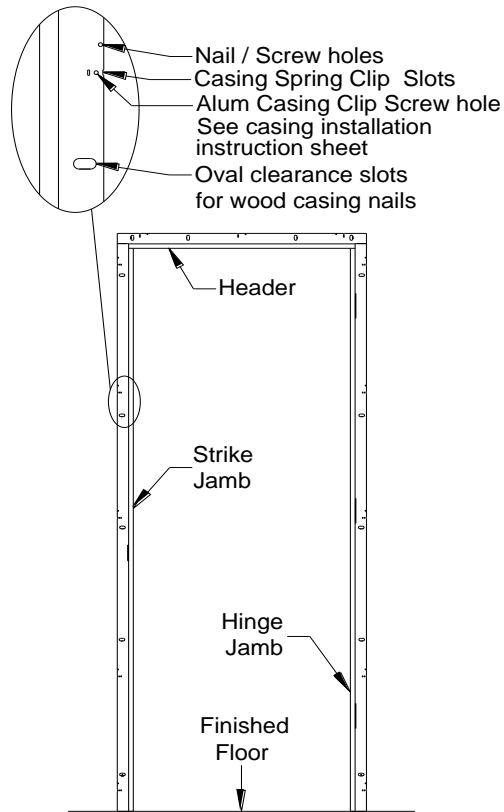


KF SERIES

F SERIES

Wall Construction  
Wood Studs & Drywall  
Recommended Fasteners:  
1-1/4" (min.)  
Drywall screws  
Coarse thread  
or  
6d common nails

Wall Construction  
Metal Studs & Drywall  
Recommended Fasteners:  
1-1/4" (min.) Type  
"S" Bugle Head Self-  
Tapping Screws



IDP Inc.  
21300 W. 8 Mile Rd.  
Southfield, MI 48075  
1-877-645-2770

Phone: 248-352-0044  
Fax: 248-352-4222  
www.idpframes.com  
info@idpframes.com

PROJECT:

JOB NO.

SHEET:

OF: