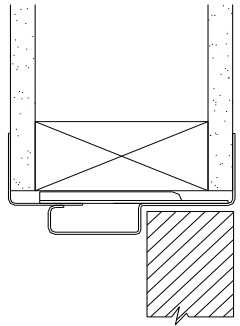
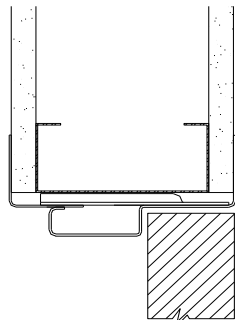


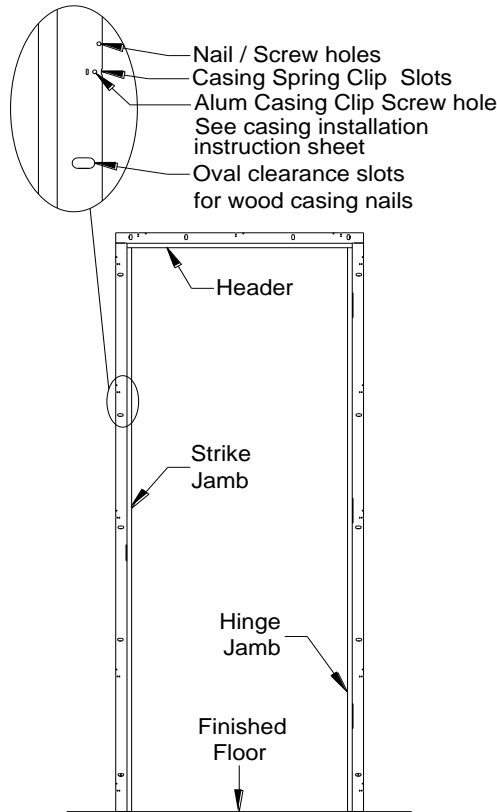
IDP Inc. NK2A-SERIES KERF ADJUSTABLE FRAME INSTALL and ROUGH OPENING SIZING



Wall Construction
Wood Studs & Drywall
Recommended Fasteners:
1-1/4" (min.)
Drywall screws
Course thread
or
6d common nails



Wall Construction
Metal Studs & Drywall
Recommended Fasteners:
1-1/4" (min.) Type
"S" Bugle Head Self-
Tapping Screws



Note: For fire rated frames fasteners must be at least 1/2" longer than the thickness of the drywall or sheathing.



IDP Inc.
21300 W. 8 Mile Rd.
Southfield, MI 48075
1-877-645-2770

Phone: 248-352-0044
Fax: 248-352-4222
www.idpframes.com
info@idpframes.com

PROJECT:

JOB NO.

SHEET:

OF: